

LPR 12X H.265+ Mini PTZ Bullet Network Camera



IP66

AF Lens

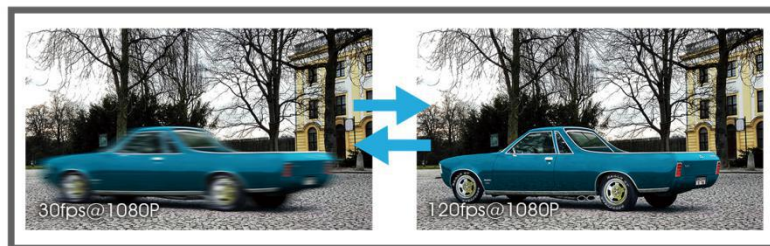
DATASHEET

KEY FEATURES

- ▶ Smart Stream (Bandwidth, storage and bit rate are saved with Smart Stream On, eg, H.265+ saves 70%~80% bandwidth that of H.264.)
- ▶ Smart IR II (Combining the High Beam and Low Beam to adjust IR intensity to fit different lighting conditions.)
- ▶ 0.002Lux Starlight (Deliver high detailed color images even in low light environment reaching 0.002Lux.)
- ▶ Smart PTZ Motion Detection (Pan and tilt to the position of motion detected area automatically and zoom in synchronously.)
- ▶ 255 Preset Positions (The user can easily control the lens position via mouse to monitor interested area and set up to 255 preset positions for patrolling.)
- ▶ Keyboard Control (Shortcut keys for PTZ control via Milesight Keyboard.)
- ▶ Breathable Screw-in Vent (High weather-proof and air permeable performance to reduce fogging, condensation and eliminate moisture.)

License Plate Recognition

Embedded in camera with no PC server required, the LPR allows network cameras to capture real-time license plate in both the highest levels of glare and the darkest hours of the night.

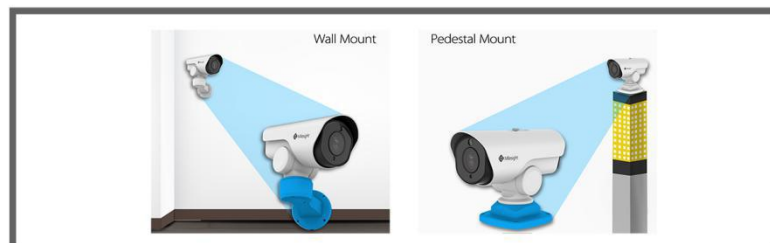


120fps

With the industry leading frame rate reaching 120fps, the cameras can easily catch images with no latency despite of the high-speed movement, which is the best choice for the demanding requirements especially for intelligent cameras.

3 in 1 Super WDR Pro - 140dB

Milesight upgraded 3 in 1 Super WDR Pro outputs three frames each line, which is able to bring more details especially moving subjects. What's more, it greatly improves image quality for reducing smear and noisy points. The ratio that the brightest light signal values divided by the darkest light signal values is up to 140dB.



Flexible Installation Modes

With two installation modes of Wall Mount and Pedestal Mount, the PTZ camera, to a greater extent, meets different installation needs for different application scenarios.

LPR 12X H.265+ Mini PTZ Bullet Network Camera



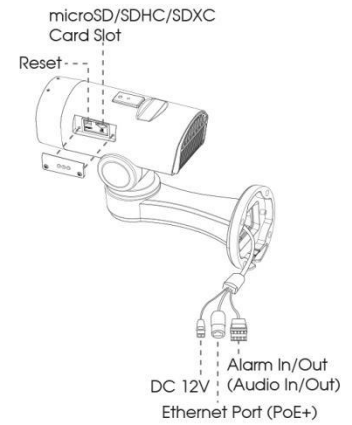
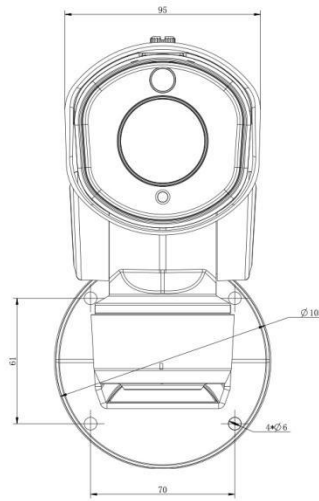
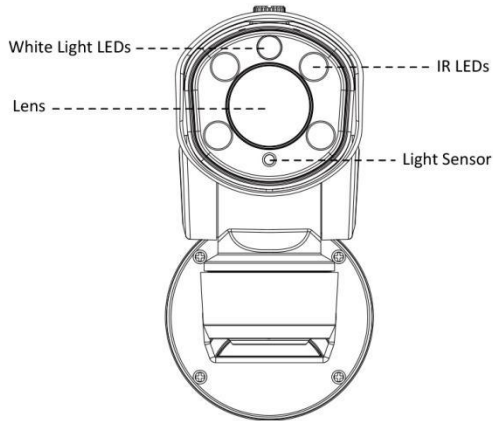
	Model	MS-C2961-(Q)(R)EL(P)B(2MP)
Camera	Image Sensor	1/2.8" Progressive Scan CMOS Color: 0.002Lux@F1.2 B/W: 0Lux with IR on
	Min. Illumination	
	WDR	140dB Super WDR (Super WDR Pro is optional for Q Series)
	Shutter Time	1/100000s~1s
	IR Distance	Up to 140m
	Digital Zoom	16X
	Day&Night	ICR Filter Auto Switch
	S/N	>55dB
Max. Vehicle Speed	120km/h	
Lens	Focal Length	5.3~64mm, 12X Optical Zoom
	Zoom Speed	Approx 4s (Wide-Tele)
	Field of View	H61°~H5°/D69°~D5°/V36°~V2°
	Focus Control	Auto/Semi-Auto/Manual
	Minimum Working Distance	1000~1500mm (Wide-Tele)
	Aperture	F1.6~F2.8
	Iris Control	Auto
PTZ	Pan Range	360°endless
	Pan Speed	Pan Manual Speed: 0.1°~60°/s, Pan Preset Speed 60°/s
	Tilt Range	-45°~30°
	Tilt Speed	Tilt Manual Speed: 0.1°~30°/s, Tilt Preset Speed 30°/s
	Proportional Zoom	Support
	Preset Quantity	255
	Preset Freezing	Support
	Patrol	8 Patrols, up to 48 presets each patrol
	Pattern	4 Patterns
	Power Off Memory	Support
	PTZ Position Display	ON/OFF
3D Positioning	Support	
Video	Max. Image Resolution	1920x1080
	Primary Stream	120fps@(1920x1080)(Optional for Q Series) , 60fps@(1920x1080, 1280x960, 1280x720, 704x576)
	Secondary Stream	60fps@(704x576, 640x480, 640x360, 352x288, 320x240, 320x192, 320x180)
	Tertiary Stream	30fps@(1920x1080, 1280x720, 704x576, 640x480, 640x360, 320x240, 320x192, 320x180)
	Video Compression	H.265+/H.265(HEVC)/H.264+/H.264/MJPEG
	Video Bit Rate	16Kbps~16Mbps(CBR/VBR Adjustable)
	Image Setting	Brightness/Contrast/Saturation/Sharpness
Network	Ethernet	1*RJ45 10M/100M Ethernet Port
	Network Storage	NAS(Support NFS, SMB/CIFS)
	Protocol	IPv4/IPv6, ARP, TCP, UDP, RTCP, RTP, RTSP, RTMP, HTTP, HTTPS, DNS, DDNS, DHCP, FTP, NTP, SMTP, SNMP, UPnP, Bonjour, SIP, PPPoE, VLAN, 802.1x, QoS, IGMP, ICMP, SSL
Audio	Audio Compression	G.711/AAC/G.722/G.726
	Audio I/O	1/1 (Optional)
System	Alarm I/O	1/1 (Optional)
	Storage	Support microSD/SDHC/SDXC Card Local Storage, up to 256G
	Advanced Function	Auto Tracking, Privacy Masking, BLC, HLC, 2D DNR, 3D DNR, ROI, Defog, AWB, EIS, IP Address Filtering, AGC, Anti-flicker, Corridor Mode, Deblur, Watermark
	SIP/VoIP Support	Yes, Voice & Video-over-IP
	Event Trigger	Black/White List, Motion Detection, Network Disconnection, External Input (Optional), Audio Alarm (Optional), etc.
	Event Action	FTP Upload, SMTP Upload, SD Card Record, External Output (Optional), SIP Phone, White LED, PTZ Motion, HTTP Notification, etc.
License Plate Recognition	Support	
System Compatibility	ONVIF Profile S & G & T & Q	
General	Working Temperature	-40°C~60°C
	Working Humidity	0~90%(Non-condensing)
	Power Supply	PoE (802.3at) (Optional) / DC 12V/2A±10%
	Power Consumption	DC 12V power supply: 10.5W MAX / 15W MAX (With IR on) / PoE power supply: 14W MAX / 20W MAX (With IR on)
	Weather Proof	Up to IP66-rated for Weather-resistant Performance
	Weight	2Kg (Wall Mount) / 1.8Kg (Pedestal Mount)
	Dimensions	160mmX273.5mmX210mm (Wall Mount) / 218mmX120mmX172mm (Pedestal Mount)
	Warranty	2 Years / 3 Years (Optional)

LPR 12X H.265+ Mini PTZ Bullet Network Camera

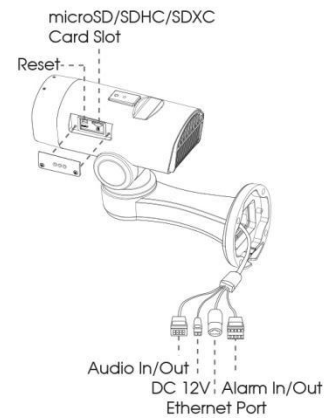
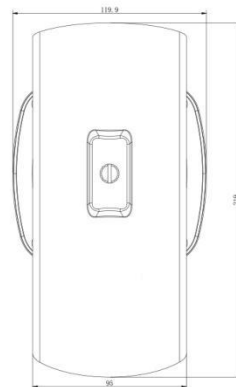
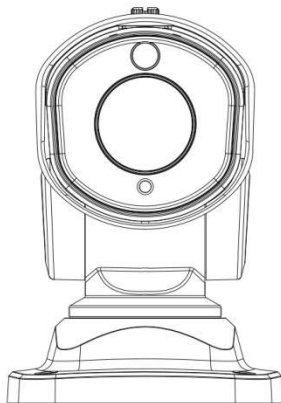


Structure Diagrams

Wall Mount:



Pedestal Mount:



Units: mm

Accessories Support

A01 Pole Mount

Weight: 720g
Dimensions: 170*51.5*152.6mm



A03 External Corner Bracket

Weight: 900g
Dimensions: 170*152.6*76.3mm



A62 Junction Box

Weight: 510g
Dimensions: 134*127*40mm



Milesight Technology Co.,Ltd. | www.milesight.com

Contact Us: sales@milesight.com | support@milesight.com

Add: 220 NE 51st Street, Oakland Park, Florida 33334, USA
Tel: +1-800-561-0485

Add: 925, Anyang SK V1 Center, LS-ro 116beon-gil, Dongan-gu, Anyang-si, Korea
Tel: +82-31-990-7772

Add: No.23 Wanghai Road, 2nd Software Park, Xiamen, China
Tel: +86-592-5922772

