

# H.265+ Weather-proof Mini Dome Network Camera



IP67

IK10

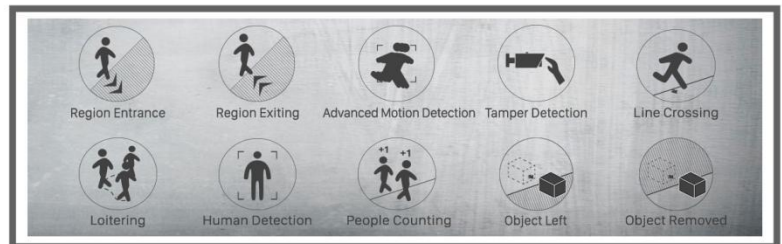
DATASHEET

## KEY FEATURES

- ▶ **Smart Stream** (Bandwidth, storage and bit rate are saved with Smart Stream ON, eg. H.265+ saves 70%~80% bandwidth that of H.264.)
- ▶ **Smart IR II** (Combining the High Beam and Low Beam to adjust IR intensity to fit different lighting conditions.)
- ▶ **Advanced Functions** (Boasting to support various advanced functions such as HLC, Defog, ROI.)
- ▶ **Built-in Microphone** (Supporting audio function to hear what is happening in front of the camera.)
- ▶ **SIP** (Session Initiation Protocol. Providing audio/alarm/intercom and video streaming for mobile phones and video phones.)
- ▶ **3-Axis Mechanical Design** (Featuring 3-axis mechanical design for fast and easy adjustment of the camera's viewing angle.)

## Video Content Analysis

Milesight VCA with 10 detection modes provides advanced, accurate smart video analysis for Milesight network cameras, enabling the comprehensive surveillance function and quicker response to different monitoring scenes.



## 0.002Lux Ultra Low-light

The starlight camera is able to deliver high detailed color images even in low light environment reaching 0.002Lux(Color) or 0Lux(B/W), and near infrared light environments without any supplementary lighting.

## 140dB Super WDR

Milesight's sensor-based WDR technology allows the camera to record greater scene details with true color reproduction even under the extreme back light and high contrast conditions. The ratio that the brightest light signal values divided by the darkest light signal values is up to 140dB.



## IP67&IK10

Supporting IP67-rated weather proofing and IK10-rated vandal proof which are the leading level of the industry, the camera is well protected against adverse impact to ensure the performance.

# H.265<sup>+</sup> Weather-proof Mini Dome Network Camera



	Model	MS-C2975-PB (2MP)	MS-C5375-PB (5MP)
<b>Camera</b>	Image Sensor	1/2.8" Progressive Scan CMOS	
	Min. Illumination	Color: 0.002Lux@F1.2 B/W: 0Lux with IR on	Color: 0.005Lux@F1.2 B/W: 0Lux with IR on
	WDR	140dB Super WDR	120dB Super WDR
	Lens	2.8mm @F2.0 / 3.2mm @F2.2 / 3.6mm @F2.2	
	Mount	M12	
	Field of View	H123°/D142°/V68°(2.8mm) H108°/D126°/V59°(3.2mm) H90°/D105°/V48°(3.6mm)	H113°/D144°/V84°(2.8mm) H98°/D124°/V73°(3.2mm) H82°/D105°/V60°(3.6mm)
	Shutter Time	1/100000s~1s	
	IR Distance	Up to 25m	
	Day&Night	ICR Filter Auto Switch	
	S/N	>55dB	
<b>Video</b>	Max. Image Resolution	1920x1080	2592x1944
	Primary Stream	30fps@(1920x1080, 1280x960, 1280x720, 704x576)	20fps@(2592x1944), 30fps@(2048x1536, 1920x1080, 1280x960, 1280x720, 704x576)
	Secondary Stream	30fps@(704x576, 640x480, 640x360, 352x288, 320x240, 320x192, 320x180)	
	Tertiary Stream	30fps@(1920x1080, 1280x720, 704x576, 640x480, 640x360, 320x240, 320x192, 320x180)	
	Video Compression	H.265 <sup>+</sup> /H.265(HEVC)/H.264 <sup>+</sup> /H.264/MJPEG	
	Video Bit Rate	16Kbps~16Mbps(CBR/VBR Adjustable)	
	Image Setting	Brightness/Contrast/Saturation/Sharpness	
<b>Network</b>	Ethernet	1*RJ45 10M/100M Ethernet Port	
	Network Storage	NAS(Support NFS, SMB/CIFS)	
	Protocol	IPv4/IPv6, ARP, TCP, UDP, RTCP, RTP, RTSP, RTMP, HTTP, HTTPS, DNS, DDNS, DHCP, FTP, NTP, SMTP, SNMP, UPnP, Bonjour, SIP, PPPoE, VLAN, 802.1x, QoS, IGMP, ICMP, SSL	
<b>Audio</b>	Audio Compression	G.711/AAC/G.722/G.726	
	Audio Interface	Built-in Microphone	
<b>System</b>	Storage	Support microSD/SDHC/SDXC Card Local Storage, up to 256G	
	Advanced Function	Privacy Masking, BLC, HLC, 2D DNR, 3D DNR, ROI, Defog, AWB, EIS, IP Address Filtering, AGC, Anti-flicker, Corridor Mode, Deblur, Watermark	
	SIP/VoIP Support	Yes, Voice & Video-over-IP	
	Event Trigger	Motion Detection, Network Disconnection, Audio Alarm, etc.	
	Event Action	FTP Upload, SMTP Upload, SD Card Record, SIP Phone, HTTP Notification, etc.	
	Video Analysis	Region Entrance, Region Exiting, Advanced Motion Detection, Tamper Detection, Line Crossing, Loitering, Human Detection, People Counting, Object Left, Object Removed	
	System Compatibility	ONVIF Profile S & G & T & Q	
<b>General</b>	Working Temperature	-40°C~60°C	
	Working Humidity	0~90%(Non-condensing)	
	Power Supply	PoE (802.3af)	
	Power Consumption	2.5W MAX 4W MAX (With IR on)	
	Housing	Vandal-proof IK10-rated Metal Housing / Up to IP67-rated for Weather-resistant Performance	
	Weight	600g (Junction Box Version) / 410g (Cable Out Version)	
	Dimensions	Φ108mmX96.5mm (Junction Box Version) / Φ106mmX76.5mm (Cable Out Version)	
	Warranty	3/5 Years	

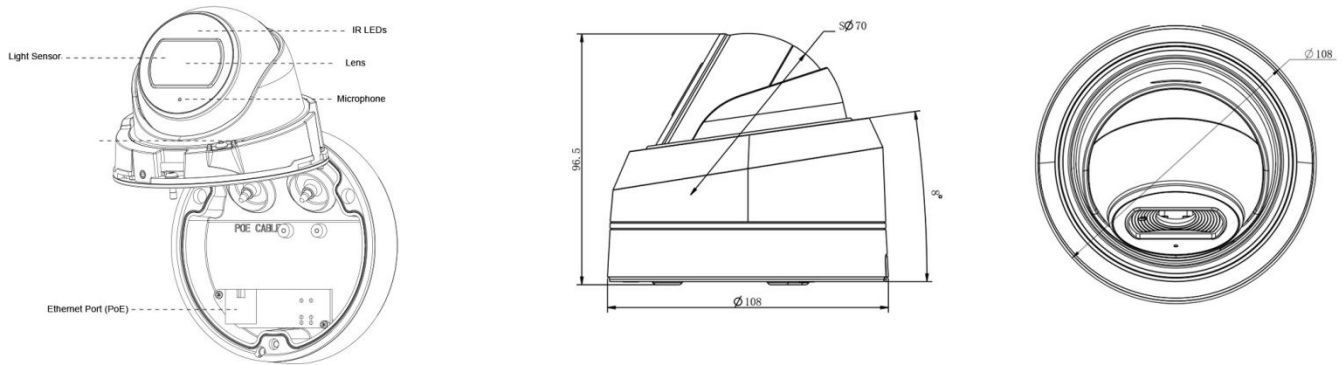


# H.265+ Weather-proof Mini Dome Network Camera

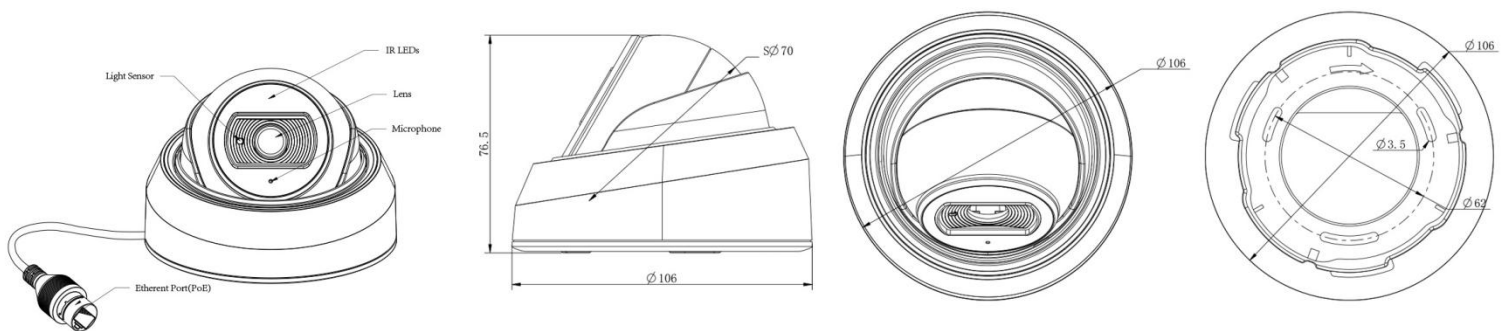


## Structure Diagrams

### Junction Box Version



### Cable Out Version



Units: mm

## Accessories Support

### A01 Pole Mount

Weight: 720g  
Dimensions: 170\*51.5\*152.6mm



### A02 Internal Corner Bracket

Weight: 540g  
Dimensions: 170\*23.2\*205.3mm



### A03 External Corner Bracket

Weight: 900g  
Dimensions: 170\*152.6\*76.3mm



### A71 Wall Mount

Weight: 530g  
Dimensions: 162\*124\*78 mm



### A81 Recessed Mount

Weight: 450g  
Dimensions: 168.9\*168.9\*91.3mm



Milesight Technology Co.,Ltd. | [www.milesight.com](http://www.milesight.com)

Contact Us: [sales@milesight.com](mailto:sales@milesight.com) [support@milesight.com](mailto:support@milesight.com)

Add: 220 NE 51st Street, Oakland Park, Florida 33334, USA  
Tel: +1-800-561-0485

Add: 925, Anyang SK V1 Center, LS-ro 116beon-gil, Dongan-gu, Anyang-si, Korea  
Tel: +82-31-990-7772

Add: No.23 Wanghai Road, 2nd Software Park, Xiamen, China  
Tel: +86-592-5922772

