

12X H.265+ AF Motorized Pro Bullet Network Camera



IP67

AF Lens

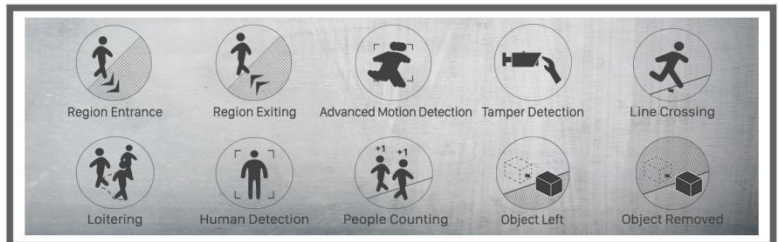
DATASHEET

KEY FEATURES

- ▶ **Smart Stream** (Bandwidth, storage and bit rate are saved with Smart Stream On, eg, H.265+ saves 70%~80% bandwidth that of H.264.)
- ▶ **Smart IR II** (Combining the High Beam and Low Beam to adjust IR intensity to fit different lighting conditions.)
- ▶ **HLC** (High Light Compensation. Improving image visibility under strong light sources.)
- ▶ **Defog** (Defog technology. Restoring clear images in hazy and foggy weather.)
- ▶ **Integrated Cable Management** (Combining the power interface, PoE port, and other interfaces in the base neatly.)
- ▶ **256G** (Supporting ultra-large external microSD/SDHC/SDXC card storage up to 256G.)

Video Content Analysis

Milesight VCA with 10 detection modes provides advanced, accurate smart video analysis for Milesight network cameras, enabling the comprehensive surveillance function and quicker response to different monitoring scenes.

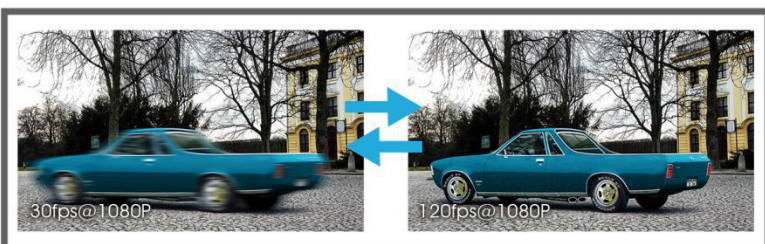


0.002Lux Ultra Low-light

The starlight camera is able to deliver high detailed color images even in low light environment reaching 0.002Lux(Color) or 0Lux(B/W), and near infrared light environments without any supplementary lighting.

3 in 1 Super WDR Pro - 140dB

Milesight upgraded 3 in 1 Super WDR Pro outputs three frames each line, which is able to bring more details especially moving subjects. What's more, it greatly improves image quality for reducing smear and noisy points. The ratio that the brightest light signal values divided by the darkest light signal values is up to 140dB.



120fps

With the industry leading frame rate reaching 120fps, the cameras can easily catch images with no latency despite of the high-speed movement, which is the best choice for the demanding requirements especially for intelligent cameras.

12X H.265⁺ AF Motorized Pro Bullet Network Camera

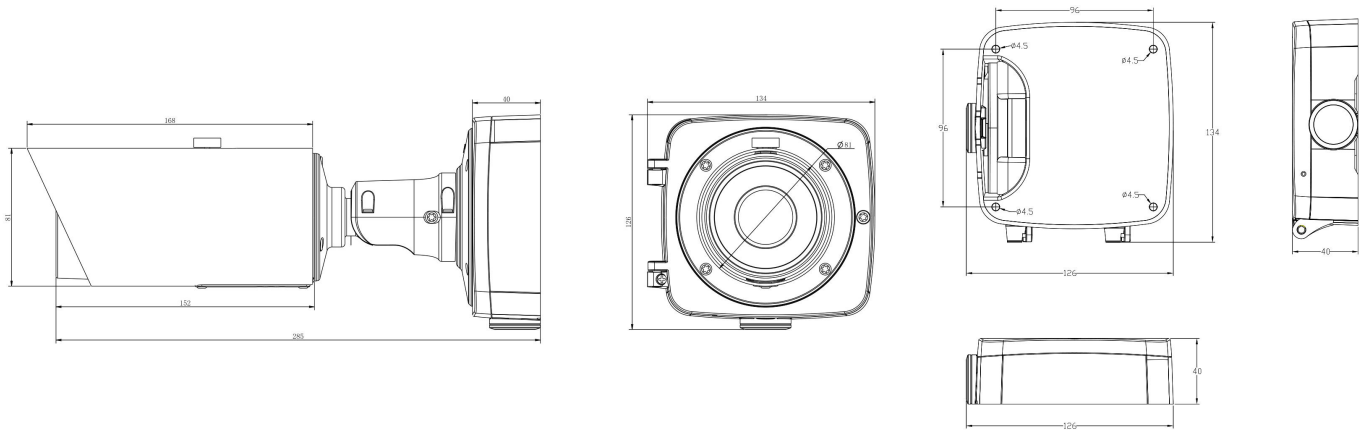
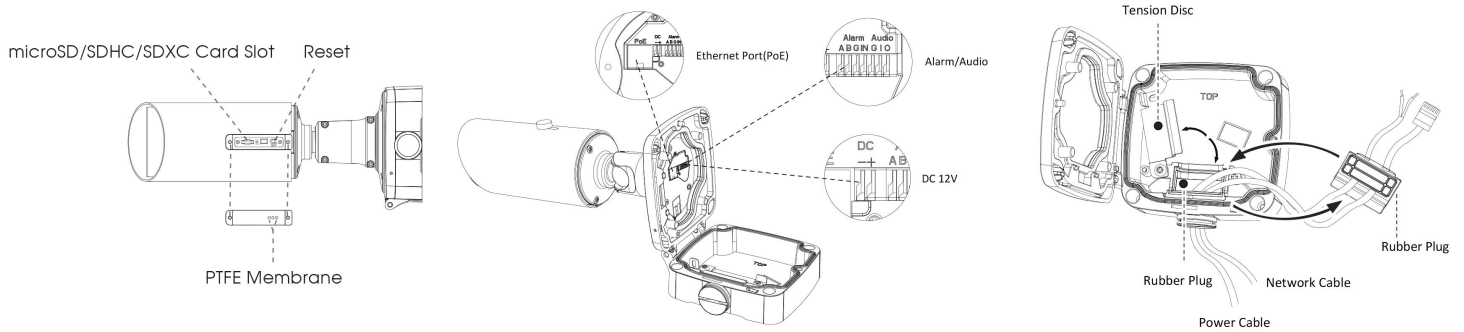


	Model	MS-C2962-(Q)(T)(R)EPB (2MP)	MS-C5362-(H)EPB (5MP)
Camera	Image Sensor	1/2.8" Progressive Scan CMOS	
	Min. Illumination	Color: 0.002Lux@F1.2 B/W: 0Lux with IR on	Color: 0.005Lux@F1.2 B/W: 0Lux with IR on
	WDR	140dB Super WDR (Super WDR Pro is optional for Q & T Series)	120dB Super WDR
	Shutter Time	1/100000s~1s	
	IR Distance	Up to 120m	
	Day&Night	ICR Filter Auto Switch	
	S/N	>55dB	
Lens	Lens	5.3~64mm, 12X Optical Zoom	
	Field of View	H61°~H5°/D69°~D5°/ V36°~V2°	H57°~H4°/D69°~D5°/ V44°~V1°
	Mount	Φ14	
	Focus Control	Auto/Manual	
	Aperture	F1.6~F2.8	
	Iris Control	Auto	
Video	Max. Image Resolution	1920x1080	2592x1944
	Primary Stream	120fps@(1920x1080)(Optional for Q Series), 90fps@(1920x1080)(Optional for T Series), 60fps@(1920x1080)(Optional for R Series), 30fps@(1920x1080, 1280x960, 1280x20, 704x576)	30fps@(2592x1944), 45fps@(2048x1536), 60fps@(1920x1080)(Optional for H Series), 20fps@(2592x1944), 30fps@(2048x1536, 1920x1080, 1280x960, 1280x720, 704x576)
	Secondary Stream	30fps@(704x576, 640x480, 640x360, 352x288, 320x240, 320x192, 320x180)	
	Tertiary Stream	30fps@(1920x1080, 1280x720, 704x576, 640x480, 640x360, 320x240, 320x192, 320x180)	
	Video Compression	H.265 ⁺ /H.265(HEVC)/H.264 ⁺ /H.264/MJPEG	
	Video Bit Rate	16Kbps~16Mbps(CBR/VBR Adjustable)	
	Image Setting	Brightness/Contrast/Saturation/Sharpness	
Network	Ethernet	1*RJ45 10M/100M Ethernet Port	
	Network Storage	NAS(Support NFS, SMB/CIFS)	
	Protocol	IPv4/IPv6, ARP, TCP, UDP, RTCP, RTP, RTSP, RTMP, HTTP, HTTPS, DNS, DDNS, DHCP, FTP, NTP, SMTP, SNMP, UPnP, Bonjour, SIP, PPPoE, VLAN, 802.1x, QoS, IGMP, ICMP, SSL	
Audio	Audio Compression	G.711/AAC/G.722/G.726	
	Audio I/O	1/1	
System	Alarm I/O	1/1	
	Storage	Support microSD/SDHC/SDXC Card Local Storage, up to 256G	
	Advanced Function	Privacy Masking, BLC, HLC, 2D DNR, 3D DNR, ROI, Defog, AWB, EIS, IP Address Filtering, AGC, Anti-flicker, Corridor Mode, Deblur, Watermark	
	SIP/VoIP Support	Yes, Voice & Video-over-IP	
	Event Trigger	Motion Detection, Network Disconnection, External Input, Audio Alarm, etc.	
	Event Action	FTP Upload, SMTP Upload, SD Card Record, External Output, SIP Phone, HTTP Notification, etc	
	Video Analysis	Region Entrance, Region Exiting, Advanced Motion Detection, Tamper Detection, Line Crossing, Loitering, Human Detection, People Counting, Object Left, Object Removed	
System Compatibility	ONVIF Profile S & G & T & Q		
General	Working Temperature	-40°C~60°C	
	Working Humidity	0~90%(Non-condensing)	
	Power Supply	PoE (802.3af)/ DC 12V±10%	
	Power Consumption	5.5W MAX	
		11W MAX (With IR on)	
	Weather Proof	Up to IP67-rated for Weather-resistant Performance	
	Weight	1080g	
	Dimensions	134mmX126mmX285mm	
Warranty	3/5 Years		

12X H.265+ AF Motorized Pro Bullet Network Camera



Structure Diagrams



Units: mm

Accessories Support

A01 Pole Mount

Weight: 720g
Dimensions: 170*51.5*152.6mm



A02 Internal Corner Bracket

Weight: 540g
Dimensions: 170*23.2*205.3mm



A03 External Corner Bracket

Weight: 900g
Dimensions: 170*152.6*76.3mm



A62 Junction Box

Weight: 510g
Dimensions: 134*127*40mm



Milesight Technology Co.,Ltd. | www.milesight.com

Contact Us: sales@milesight.com | support@milesight.com

Add: 220 NE 51st Street, Oakland Park, Florida 33334, USA
Tel: +1-800-561-0485

Add: 925, Anyang SK V1 Center, LS-ro 116beon-gil, Dongan-gu, Anyang-si, Korea
Tel: +82-31-990-7772

Add: No.23 Wanghai Road, 2nd Software Park, Xiamen, China
Tel: +86-592-5922772

